



Sûreté des Procédés Industriels

M5010 Manomètre tube – boîtier inox

Bourdon tube pressure gauge

■ Utilisation

Sur tous fluides gazeux ou liquides non agressifs, non pâteux ou cristallisants ainsi que les atmosphères agressives.

■ Caractéristiques

| Diamètre | 63mm | 100mm |
|--------------------------------------|-------------------------|--------------------------|
| Classe | 1,6 | 1,6 |
| Echelles ⁽¹⁾ (bar-psi) | 0...0,6 ↓ 0...600 | 0...0,6 ↓ 0...1000 |

⁽¹⁾ ainsi que toutes les étendues pour le vide / pression : selon EN 837-1/5

| | |
|-----------------------------|--|
| Plage d'utilisation | Charge statique 75% EM Charge dynamique 66% EM Momentanément 100% EM (Ø63) Momentanément 130% EM (Ø100) |
| Boîtier et lunette | Inox 304 – lunette sertie |
| Remplissage | Glycérine |
| Event de sécurité | Au dos du boîtier (Ø100) |
| Indice de protection | IP 65 (suivant EN60529) |
| Voyant | Polycarbonate incassable PMMA |
| Cadran | Ø100 aluminium peint en blanc Ø63 plastique blanc Graduations et chiffres noirs |
| Aiguille | Ø100 aluminium noir Ø63 plastique noir |
| Mouvement | Laiton |
| Élément de mesure | Tube manométrique |
| Matière | Laiton |
| T° ambiante | -20°C...+60°C |
| T° fluide | +60°C max. |
| Raccord pression | Laiton |
| Ø 63 | ¼" GM ou ¼" NPTM |
| Ø 100 | ½" GM ou ½" NPTM |
| Position du raccord | Vertical ou arrière |
| Montage | Direct Tableau – collerette avant Tableau – étrier |

■ Options

Collerette Avant/arrière (Ø 100), étrier (Ø 63)
Autre(s) : unité spéciale, logo client, dégraissage pour oxygène, raccord pression spécifique, boîtier non rempli, etc.

■ Uses

Suitable for severe environments and non corrosive gaseous or liquid media which will not abstract the pressure entry.

■ Technical data

| Nominal size | 63mm | 100mm |
|------------------------------------|-------------------------|--------------------------|
| Class | 1.6 | 1.6 |
| Ranges ⁽¹⁾ (bar-psi) | 0...0,6 ↓ 0...600 | 0...0,6 ↓ 0...1000 |

⁽¹⁾ as well as compound vacuum / pressure ranges : acc. to EN 837-1/5

| | |
|----------------------------|--|
| Working pressure | steady 75% FS Fluctuating 66% FS Temporary 100% FS (Ø63) Temporary 130% FS (Ø100) |
| Case | 304 stainless steel – crimped ring |
| Filled case | Glycerine |
| Blow out hole | Rear (only for Ø100) |
| Protection class | IP 65 (according to EN60529) |
| Window | PMMA polycarbonate |
| Dial | Ø100 white aluminium Ø63 white plastic Black letters and graduations |
| Pointer | Ø100 black aluminium Ø63 black plastic |
| Movement | Brass |
| Pressure element | Bourdon tube |
| Material | Brass |
| Ambient T° | -20°C...+60°C |
| Process T° | +60°C maxi |
| Process connection | Brass |
| Ø 63 | ¼" BSPM or ¼" NPTM |
| Ø 100 | ½" BSPM or ½" NPTM |
| Connection location | Bottom or back |
| Mounting | Direct Panel – front flange Panel – U-clamp |

■ Options

Flange Front/back (Ø 100), U-clamp (Ø 63)
Other(s): special scale, customizing, oxygen cleaning, special process connection, unfilled case, etc.

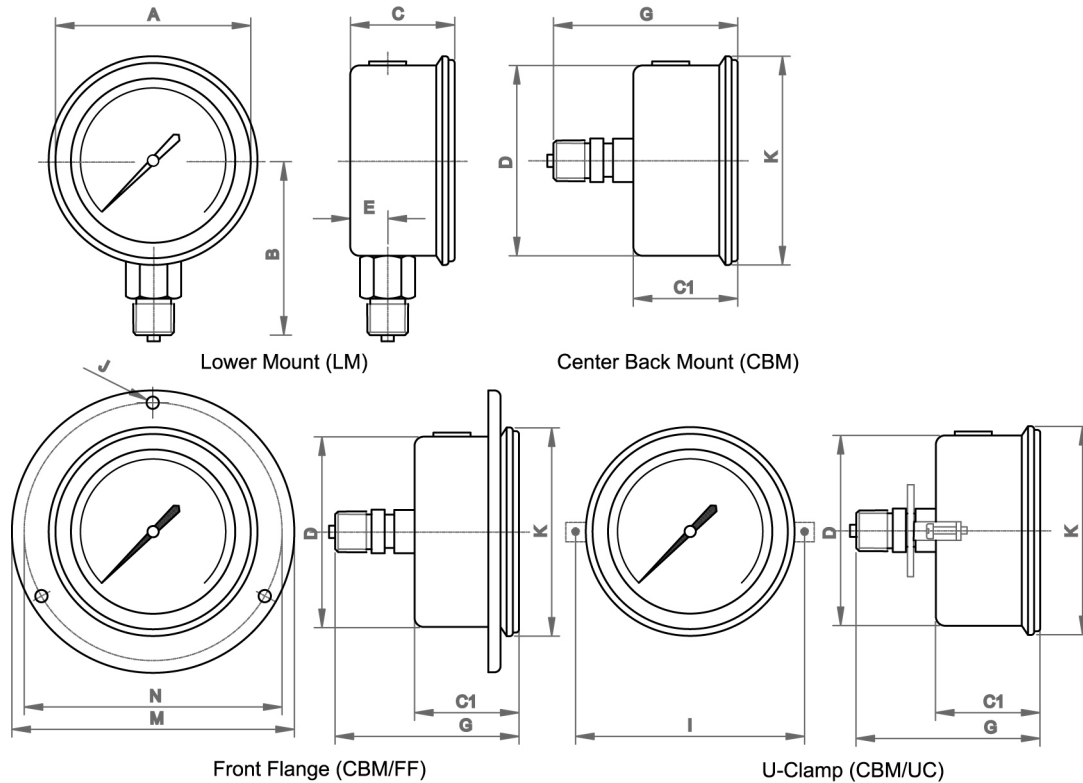
M5010 Manomètre tube – boîtier inox

Bourdon tube pressure gauge



Sureté des Procédés Industriels

■ Type de montage – Encombrement (mm) / Type of mounting Dimensions (mm)



| Ø | A | B | C | C1 | D | E | G | I | J | K | M | N | W* |
|-----|-------|------|------|------|------|------|------|----|-----|-------|------|------|----|
| 63 | 62.2 | 68.8 | 32.9 | 33.9 | 62.1 | 11.5 | 58.4 | 77 | 3.2 | 67.7 | 84.8 | 74.5 | 14 |
| 100 | 104.5 | 83 | 34 | 34 | 99 | 19 | 69 | - | 6 | 104.5 | 132 | 118 | - |

* Clé à utiliser pour l'embase
wrench: key to be used for the socket

■ Pour commander / To order

| Type | Cadran Dial | Position connexion Connection position | Raccordement Connection | Echelle Ranges | Spécificités Features |
|-------|-------------------|--|---|--|---|
| M5010 | C Ø 63 D Ø 100 | D Raccord vertical Bottom connection A Raccord vertical / colerette arrière Bottom connection / back flange F Raccord arrière Back connection B Raccord arrière / colerette avant Back connection / front flange K Raccord arrière / étrier de fixation Back connection / U-clamp | 0 ½ GM (1) 3 ½ NPTM (1) 5 ¼ GM (2) 6 ¼ NTPM (2) (1) Ø100 (2) Ø63 | 86 -0,6...0 bar/psi M6 0...4 bar/psi A6 -1...0 bar/psi N6 0...6 bar/psi B6 -1...0,6 bar/psi P6 0...10 bar/psi C6 -1...1,5 bar/psi Q6 0...16 bar/psi D6 -1...3 bar/psi R6 0...25 bar/psi E6 -1...5 bar/psi S6 0...40 bar/psi F6 -1...9 bar/psi T6 0...60 bar/psi G6 -1...15 bar/psi U6 0...100 bar/psi 96 -1...24 bar/psi V6 0...160 bar/psi H6 0...0,6 bar/psi W6 0...250 bar/psi J6 0...1 bar/psi Y6 0...400 bar/psi K6 0...1,6 bar/psi 16 0...600 bar/psi L6 0...2,5 bar/psi 26 0...1000 bar/psi | G00 Standard D00 Dégraissage O ₂ Oxygen cleaning 000 non rempli unfilled Autres: voir options Others: refer to options |